

## Peak PKX11028-WKC Stainless Steel Workcenter Kitchen Sink

The Peak Workcenter has it all. This workcenter includes all the prepping basics you need, including a cutting board, colander, and bottom grid that raises to create a higher level workspace. A complete kitchen solution, with a sink that makes sense, and tools exactly where you need them, built for the way professionals work.

### FEATURES

- Accessories Included: Bottom / Shelf Grid, Colander, Cutting Board, Strainer Basket and Drain Cover
- Integrated Ledge: The integrated ledge enhances your workspace by allowing you to work directly over the sink. Custom-fit accessories streamline the workflow.
- Multi-Level Workspace: The bottom sink grid raises to sit on the integrated ledge, creating a higher level workspace to expand your prep, clean and rinse area.
- Removable Drain Cover: The removable square drain cover conceals the drain for a seamless bowl surface, while providing a flat bottom surface to allow for more usable workspace. Square drain cover included.
- Undermount Installation: Fitted underneath the counter, it gives an edgeless finish that is easy to clean.

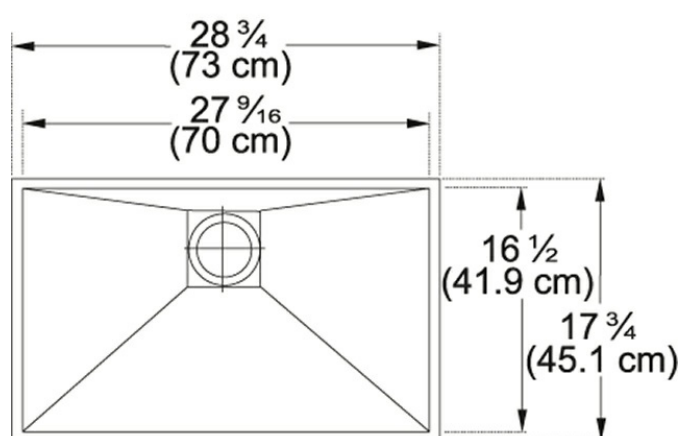
### Product Picture



### Product Dimensions

Length overall	28 3/4"
Width overall	17 3/4"
Length of large bowl	27 9/16"
Width of large bowl	16 1/2"
Depth of large bowl	9 5/8"
Minimum Cabinet Size	33"

### Technical Drawing



### General Information

Type of Material	16 Gauge Stainless Steel
Number of Bowls	1
Faucet Hole	0
Installation Clips	Yes
Cut-Out Template	Yes
Integral Ledge System	Yes

### Article Numbers

FUN#	122.0672.202
------	--------------

